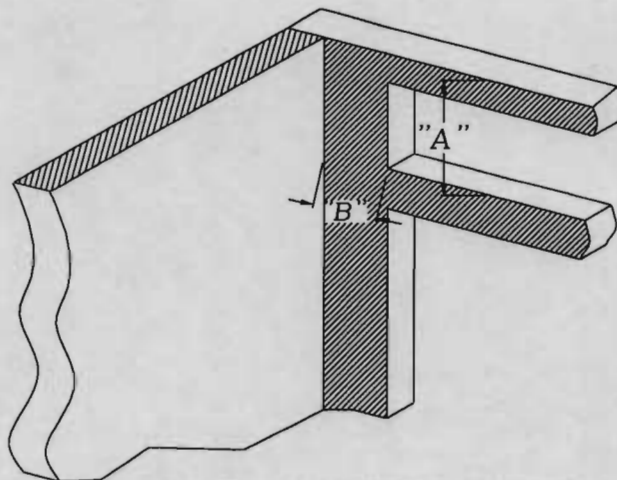


I.) Establish Reference Dimension:

1.) Measure from the top edge of the frame to bottom edge of the drawer opening (top of frame rail) This is dim "A"

2.) Measure from the inside of the side panel to the inside of the edge of the drawer opening (frame stile). This is dim "B"



"VIEW OF FRONT OF CABINET FROM INSIDE"

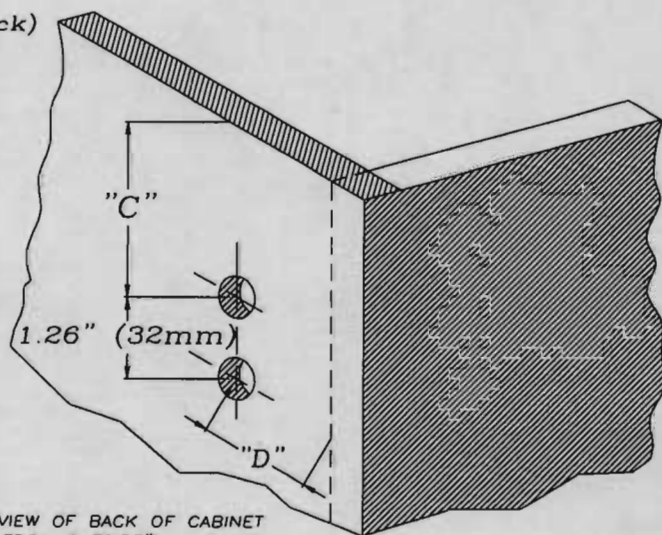
II.) Calculate 8mm Mounting Hole Location (For Back)

1.) Vertical location "C" (from top of back) the upper hole location is found by subtracting 1.375" (34.9mm) from dim "A"

The lower hole location is 1.26" (32 mm) below the upper hole.

2.) Horizontal location "D"

The horizontal location of both holes is found by adding .25" (6mm) to dim. "B".



"VIEW OF BACK OF CABINET FROM OUTSIDE"

EXAMPLE

$$A - 1.375" = C$$

$$6.0 - 1.375" = 4.625"$$

$$6.5 - 1.375" = 5.125"$$

$$B + .25" = D$$

$$1.5 + .25" = 1.75"$$

III.) Front Mounting Example

